

MACHINES FOR WORLD CLASS CLEANING AND DISINFECTION

PESUTEKNC

PHARMACEUTICAL INDUSTRY

T R O M B I



ISO 9001, 14001 and 18001 compliant
Manufactured according to cGMP principles.

AAA[®]
Highest Creditworthiness
Soliditet 2012



TROMBI

Container washing machine for pharmaceutical applications

- 4 programs for cleaning & disinfecting at max. +85°C
- Hot air option for more powerful drying
- Distilled and washing water sample outlet
- Hydraulic door with torque sensor for safe usage
- Complete safety system including light curtain
- High quality wash system with rotating spray heads
- Automated and adjustable detergent dosage
- Capacity of e.g. 2 pcs 200 l barrels with covers
- Removal of the water pockets with pressured air

Wash cabinet volume

- 1.15 m³

Washing temperature range

- +40°C to +85°C

Noise level

- 66 dB

Dimensions

- W 1952 D 1038 H 2414 (mm)

Weight

- 500 kg

Construction

- Stainless steel AISI 304
- or acid proof AISI 316

Other

- Cabinet for 20 l detergent canister

CONNECTIONS

Inlet water

- 3/4" connector
- Max +85°C warm water
- Cold water inlet 3/4"
- Warm water inlet 3/4"
- Distilled water inlet 3/4"

Compressed air

- 1/2" connector

Drain

- ø 51 mm tube, air operated valve

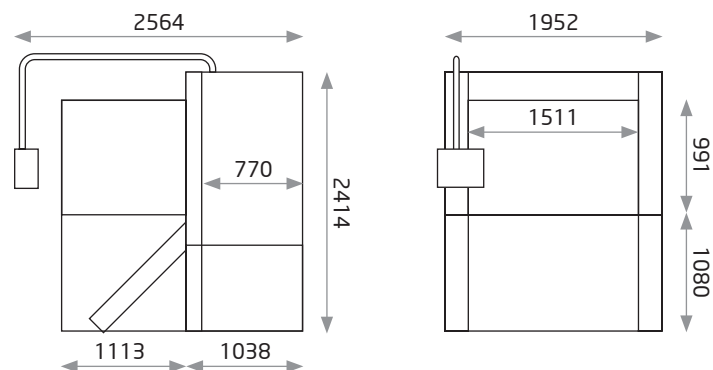
Electrical

- Voltage 3 x 400 V 50 Hz
- Other voltages available
- Fuse 3 x 63 A
- Power 28 kW

Perfectly clean and disinfected containers like barrels and bins with Pesutekno washing system. Wash program times (9-65 min) are designed to clean and disinfect for instance during the lunch breaks. Program times are adjustable according to specific washing requirements.

TROMBI meets high level hygiene requirements for different applications in medical industry with its outstanding cleaning features.

With TROMBI you have one less item to worry about.



units: mm